



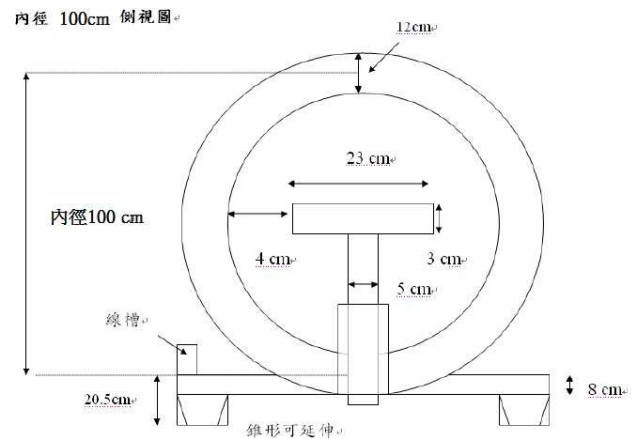
## PMF-1000

### Power Frequency Magnetic Field Immunity

PMF-1000 Power frequency magnetic field immunity system is specially designed according to the characteristics and requirements of the EMS test of power frequency magnetic field. It has high reliability and convenient operation, and can meet the requirements of IEC 61000-4-8 , EN50121-4. This system can simulate the power frequency magnetic fields in household, commercial and industrial areas.



#### MAGNETIC FIELD COIL



#### Specifications:

- Meet requirement: EN50121-4. IEC61000-4-8
- Software easy control for test setup
- AC & DC power source (3 KVA)
  - Total power: 3000 VA
  - Frequency range: 0Hz, 15~100Hz
  - High brightness LED display
  - Output of pure, stable sine wave, no interference, high precision, low noise
  - Power abnormal protection
- Helmholtz coil for IEC61000-4-8
- Impedance box for Helmholtz coil
  - Frequency Range: 0Hz, 15~100Hz
  - IEC 61000-4-8 400A/m Continue
  - IEC 61000-4-8 1000A/m 3 Sec

昌捷科技股份有限公司

Jet-Power Technology Co., Ltd.

新北市中和區景新街 347 號 9 樓之 7

電話：886-2-8668-1818

傳真：886-2-8192-7255

9F-7, No.347, Jingxin St., Zhonghe Dist., Dist., New Taipei City 235, Taiwan (R.O.C.)

E-mail: [sales@jpt-emc.com](mailto:sales@jpt-emc.com)

[www.jpt-emc.com](http://www.jpt-emc.com)